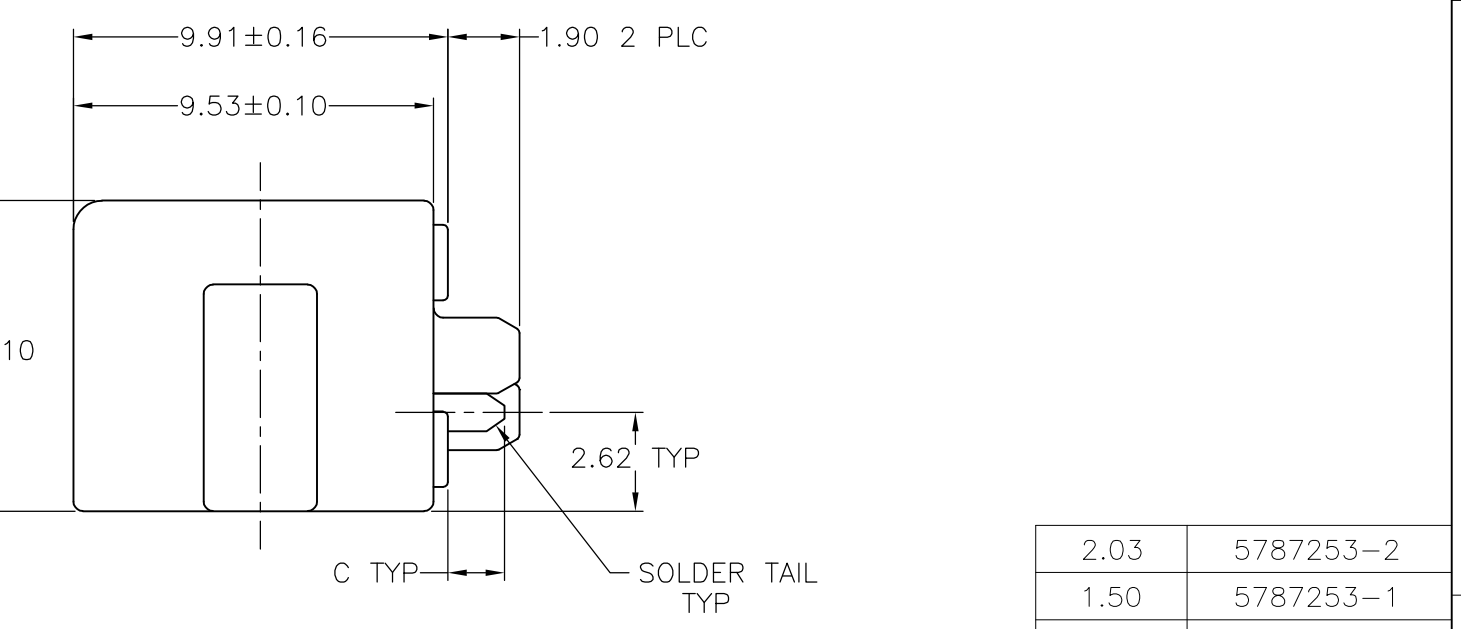
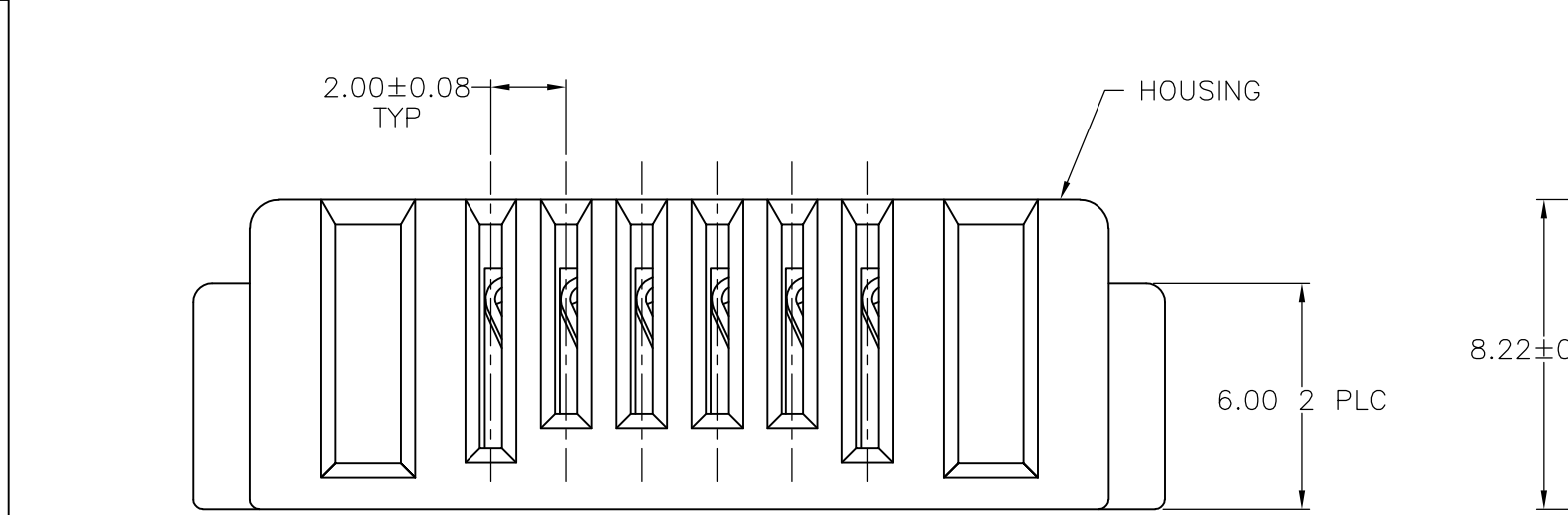
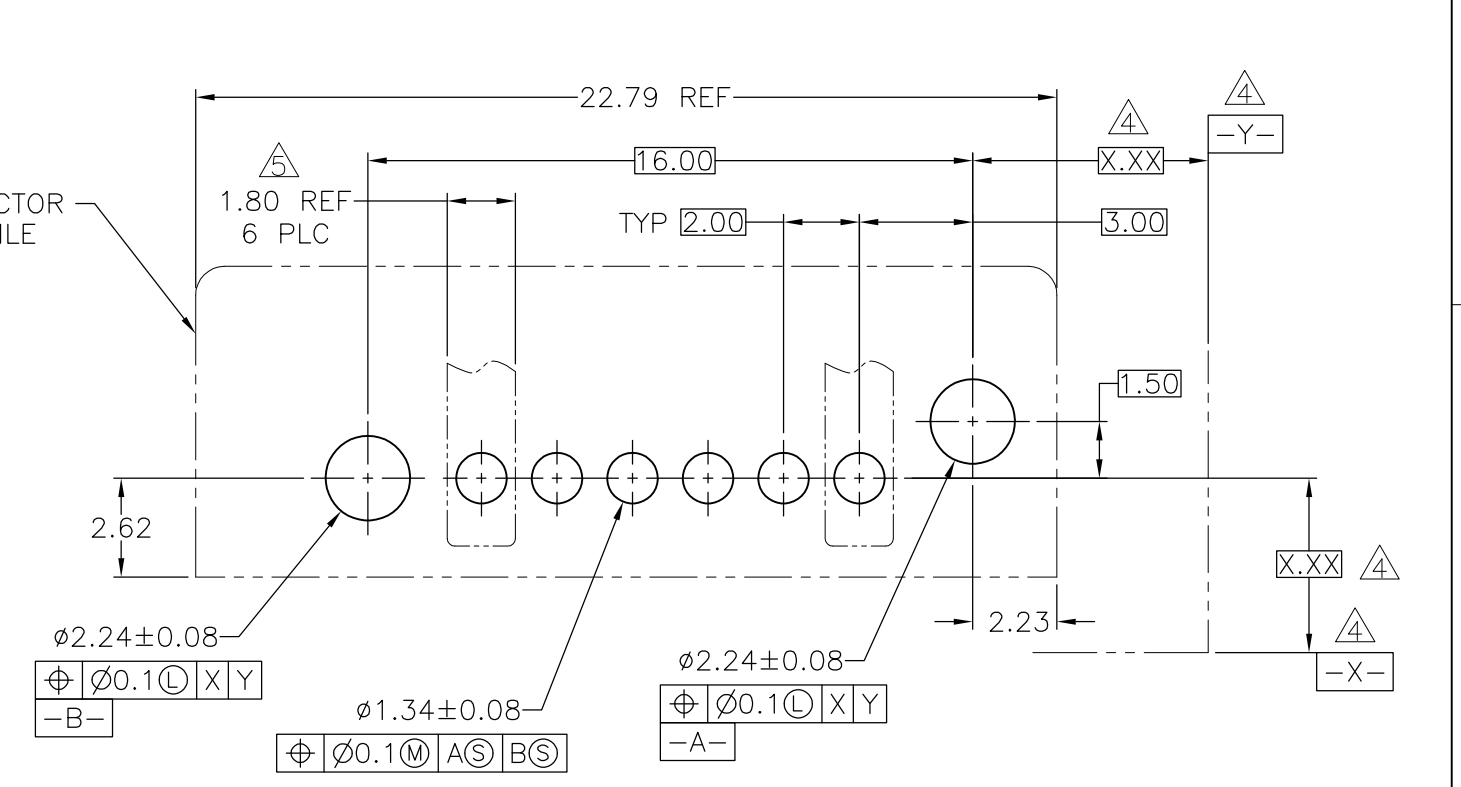
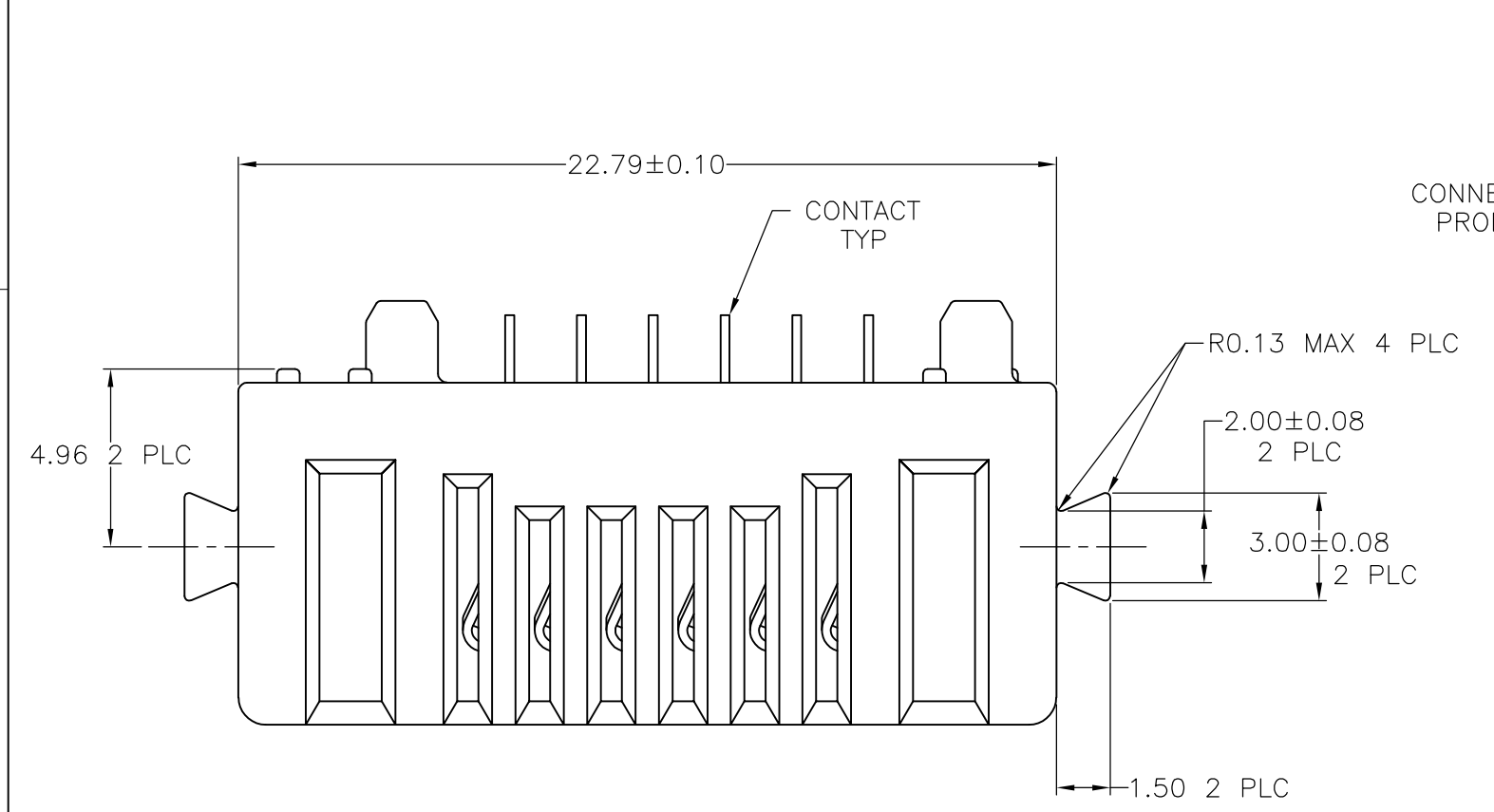


THIS DRAWING IS UNPUBLISHED. RELEASED FOR PUBLICATION
 © COPYRIGHT - By - ALL RIGHTS RESERVED.

LOC	DIST	REVISIONS					
ES	00	P	LTR	DESCRIPTION	DATE	DWN	APVD
		A1		REVISED PER ECO-11-005033	29MAR11	RK	HMR



2.03	5787253-2
1.50	5787253-1
C	PART NO.

NOTE:
 ① LCP, UL 94V-0 RATED, BLACK.
 ② PHOSPHOR BRONZE.
 ③ 0.076um MIN. GOLD OVER 0.76um MIN. PALLADIUM NICKEL ON MATING AREA, 3.80um MIN. TIN ON SOLDER TAIL, ALL OVER 1.27um MIN. NICKEL.
 ④ DATUMS AND BASIC DIMENSIONS ESTABLISHED BY CUSTOMER.
 ⑤ RECOMMENDED MINIMUM TRACE WIDTH FOR END POSITIONS WHEN CARRYING 3 AMPS: 1.8 WIDE x 55um THICK, BOTH SIDES.

THIS DRAWING IS A CONTROLLED DOCUMENT.		DWN	GAVIN ZHANG	23NOV04	TE Connectivity RECEPTACLE ASSEMBLY, 6 POSITION, THRU-HOLE, MDI
		CHK	STEVEN YAO	23NOV04	
		APVD	I. ENOMOTO	23NOV04	
		PRODUCT SPEC			
DIMENSIONS: mm		TOLERANCES UNLESS OTHERWISE SPECIFIED:		NAME	
		0 PLC	± -	-	
		1 PLC	± -	-	
		2 PLC	± 0.13	-	
		3 PLC	± -	-	
		4 PLC	± -	-	
		ANGLES	± -	-	
MATERIAL		FINISH		SIZE	
①② -		③ -		A3 00779 C-5787253	
				CAGE CODE	
				DRAWING NO	
				RESTRICTED TO	
				-	
				SCALE	
				5:1	
				SHEET	
				1 OF 1	
				REV	
				A1	
				CUSTOMER DRAWING	